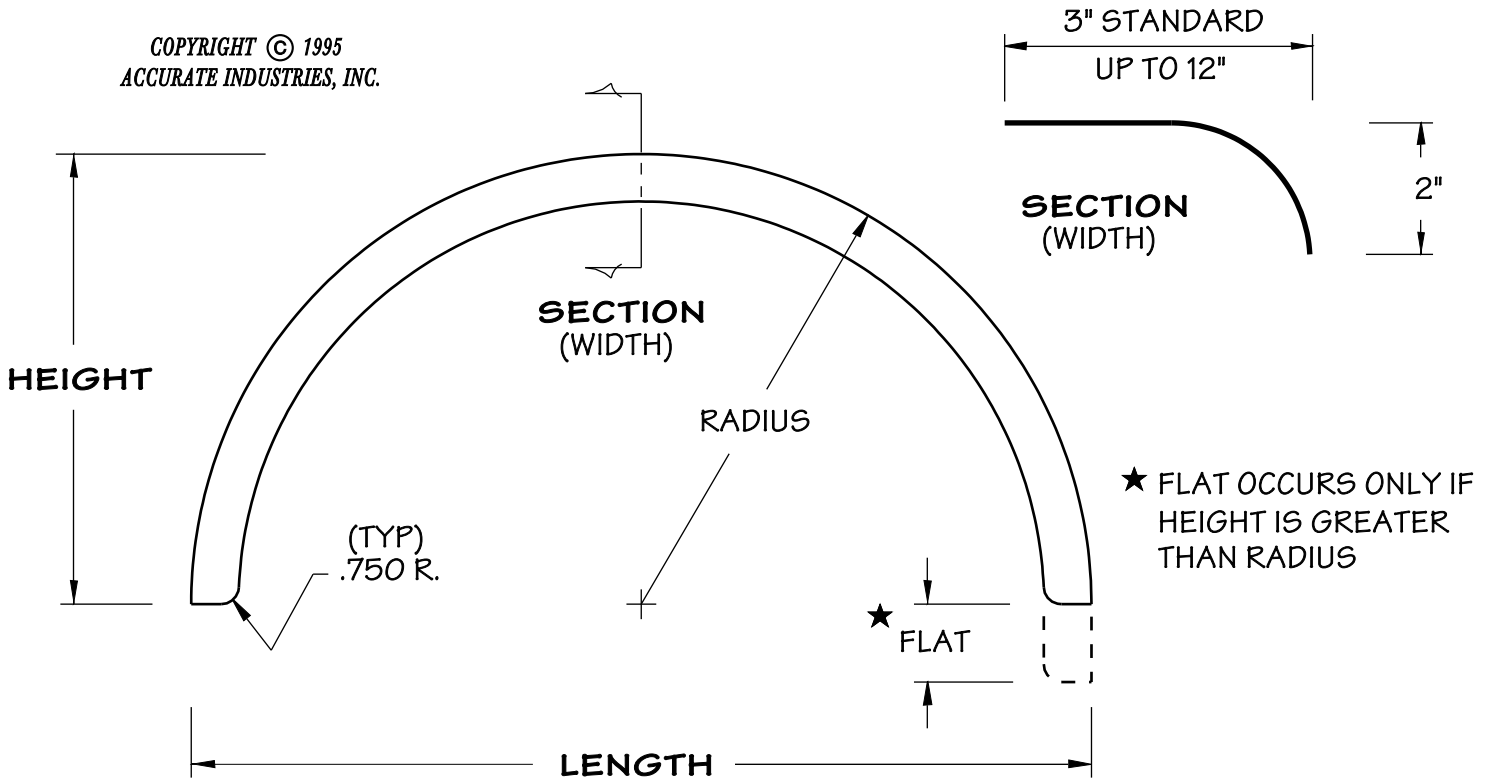


FENDERETTES

COPYRIGHT © 1995
ACCURATE INDUSTRIES, INC.



NOTE!

DIMENSIONS SHOWN ARE FOR STANDARD FENDERETTES. CALL CUSTOMER SERVICE FOR INFORMATION ON CUSTOM SIZES.



PHONE 574-967-4127

FAX 574-967-3003

* ADD "A" BEHIND PART NUMBER TO DENOTE ALUMINUM - EXAMPLE 62100A

PART NO.	HEIGHT	LENGTH	RADIUS	WIDTH	FLAT	PART NO.	HEIGHT	LENGTH	RADIUS	WIDTH	FLAT
61700	17"	34"	17"	3"	-0-	62400	24"	48"	24"	8"	-0-
61710	17"	34"	17"	4-1/2"	-0-	62410	26"	49"	24-1/2"	8"	1-1/2"
61815	22"	36"	18-1/4"	3"	4"	62420	27"	49"	24-1/2"	8"	2-1/2"
61817	22"	36"	18-1/4"	3"	8"	62430	29"	49"	24-1/2"	8"	4-1/2"
61825	18"	37-1/2"	18-3/4"	3"	-0-	62431	29-1/2"	49"	24-1/2"	20"	5"
61900	19"	38"	19"	3"	-0-	62432	30"	49"	24-1/2"	20"	5-1/2"
61901	18"	38"	19"	5-1/2"	-0-	62500	25"	50"	25"	3"	-0-
61910	19"	38"	19"	8"	-0-	62510	29"	50"	25"	3"	4"
62100	21"	42"	21"	3"	-0-	62511	30"	50"	25"	3"	5"
62105	30"	42"	21"	3"	-9-	62512	30"	52"	26"	3"	4"
62200	22"	44"	22"	3"	-0-	62516	28-1/2"	56"	28"	4"	1/2"
62220	30"	44"	22"	3"	8"	62630	27-3/16"	53-1/2"	26-3/4"	5-1/2"	7/16"
62210	22"	44"	22"	8"	-0-	62600	9-3/8"	40"	26"	3"	-0-
62300	23"	46"	23"	3"	-0-						